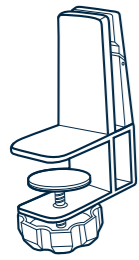


Acrylic Privacy Panel 24

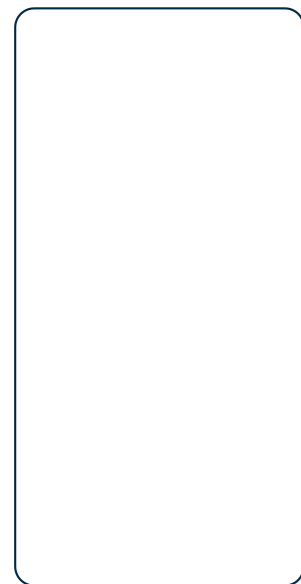


No Tools
Required

vari®

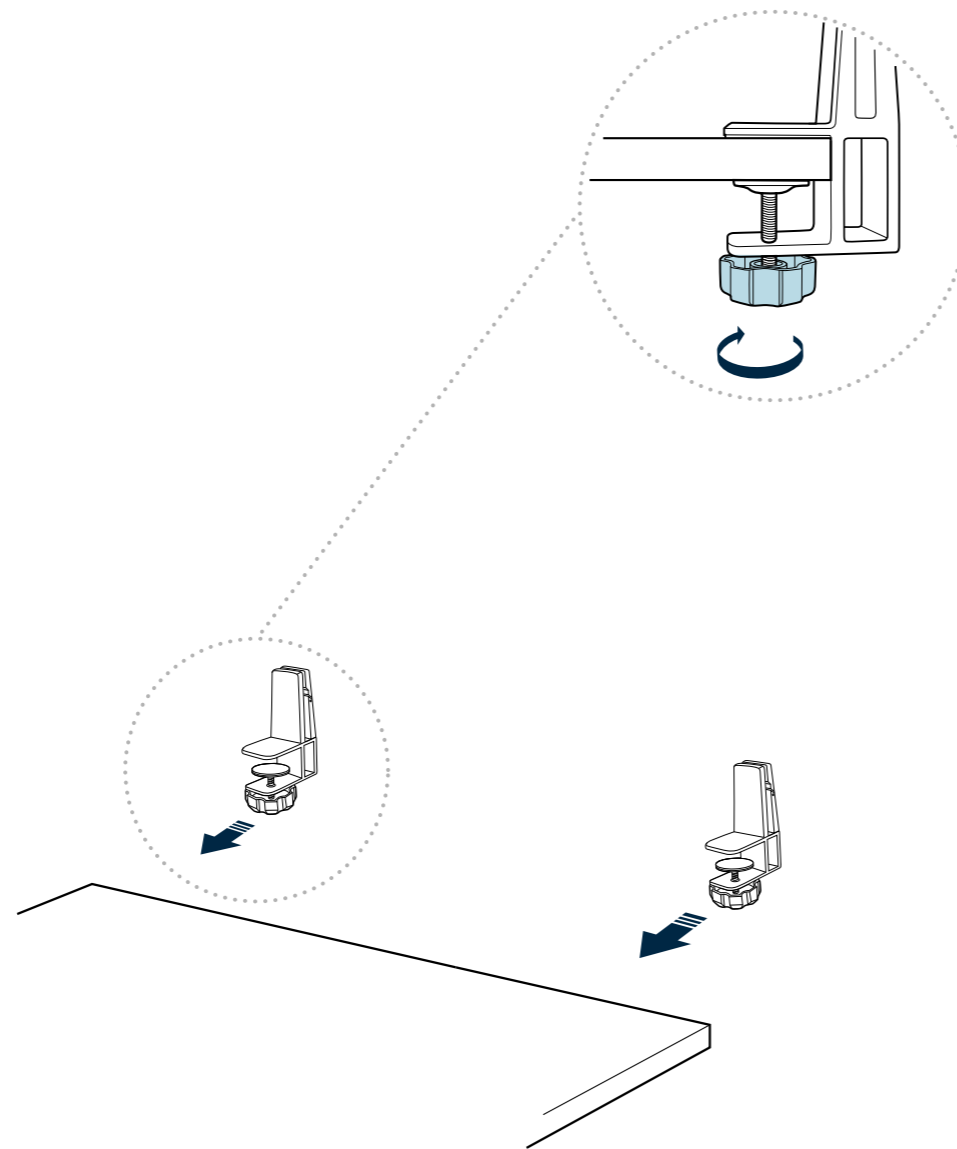


x2



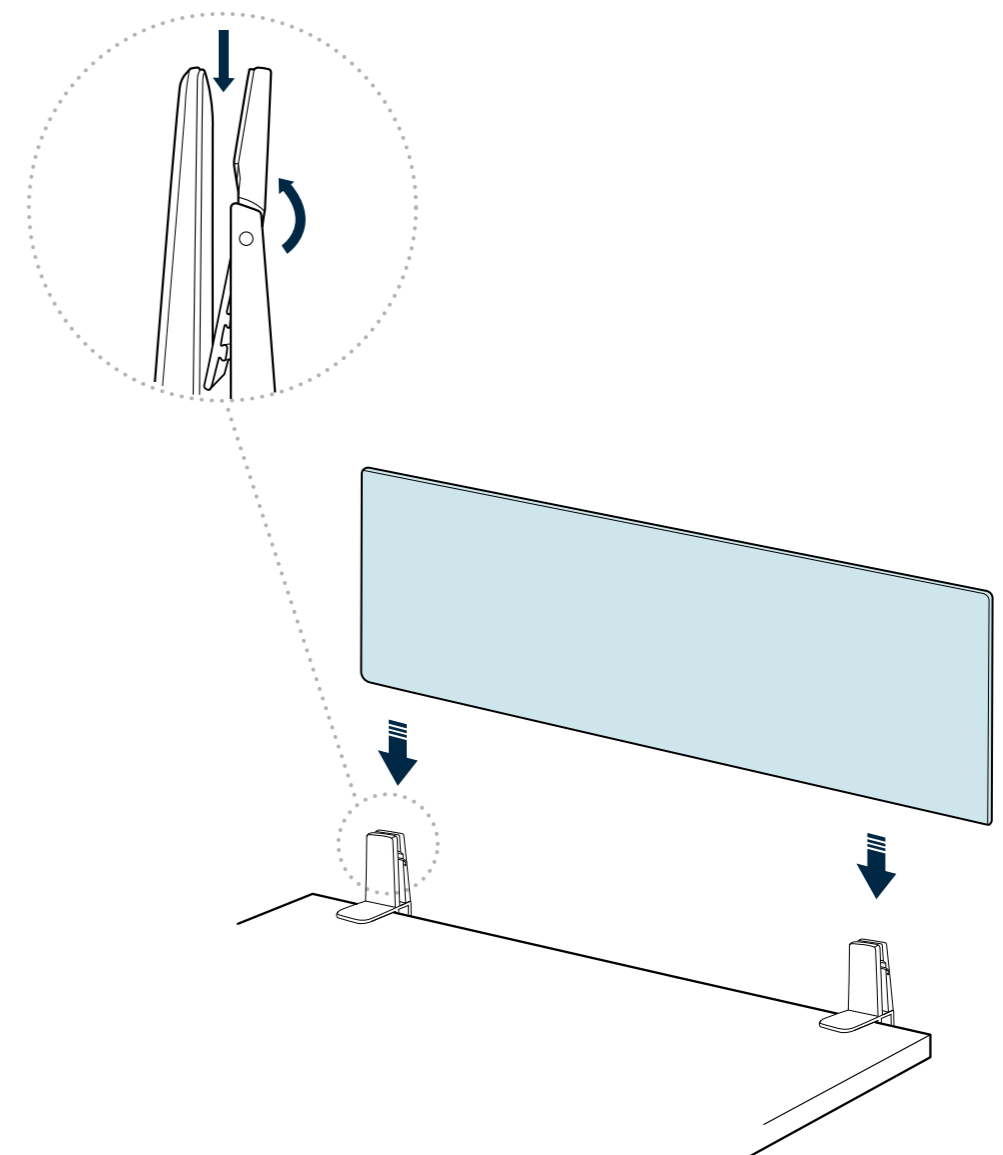
x1

1



Turn the hand bolts counterclockwise to open the clamp. Position each clamp at about the same distance in from the front and back of the desk (or table), then slide the clamps onto the end of the desk. Turn the hand bolts clockwise to tighten them.

2



Carefully slide the acrylic panel all the way down into the brackets.

Please note: The levered brackets are designed to hold the panel securely in place. As you gently push the panel down, the levers will move to accommodate the panel.



(800) 207-2587