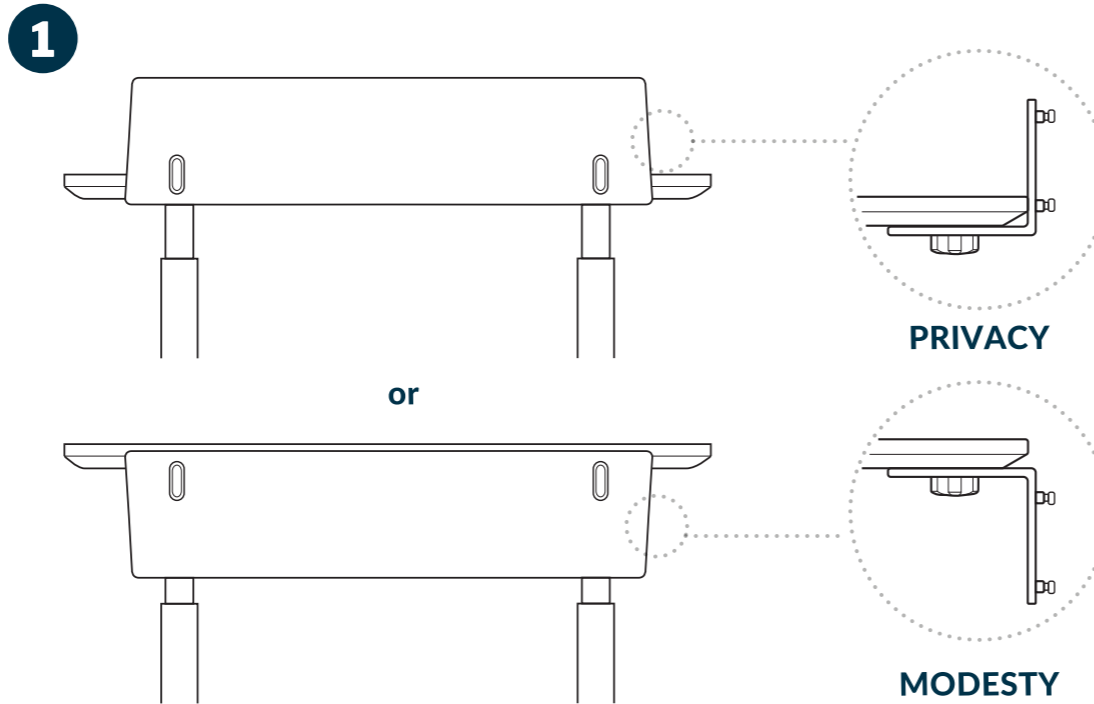
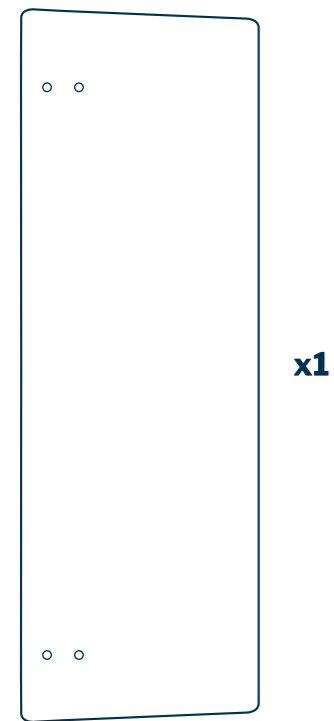


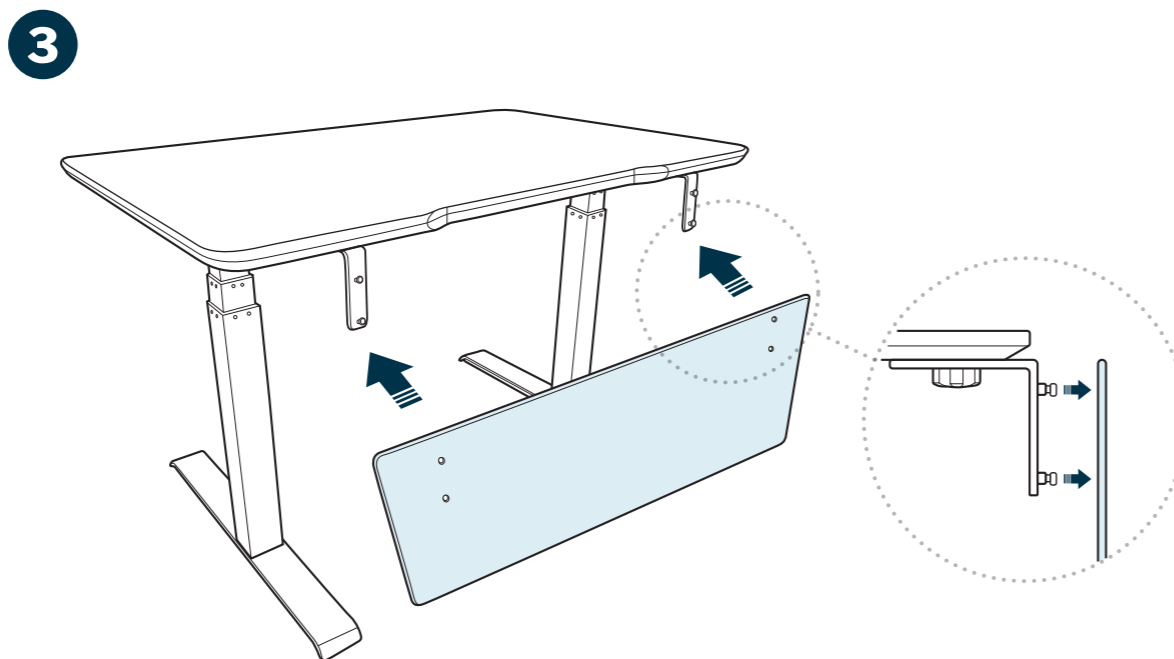
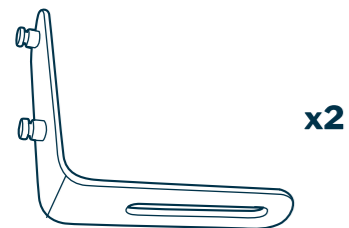
Acrylic Modesty Panel



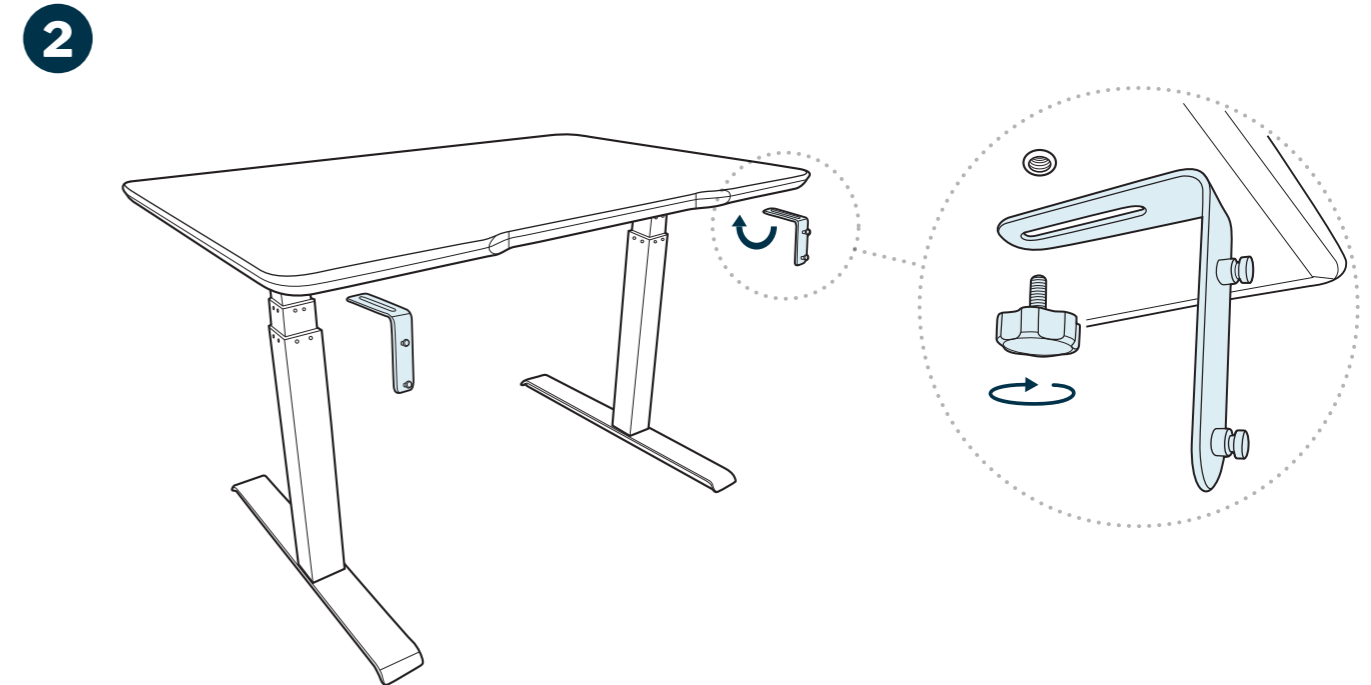
vari®



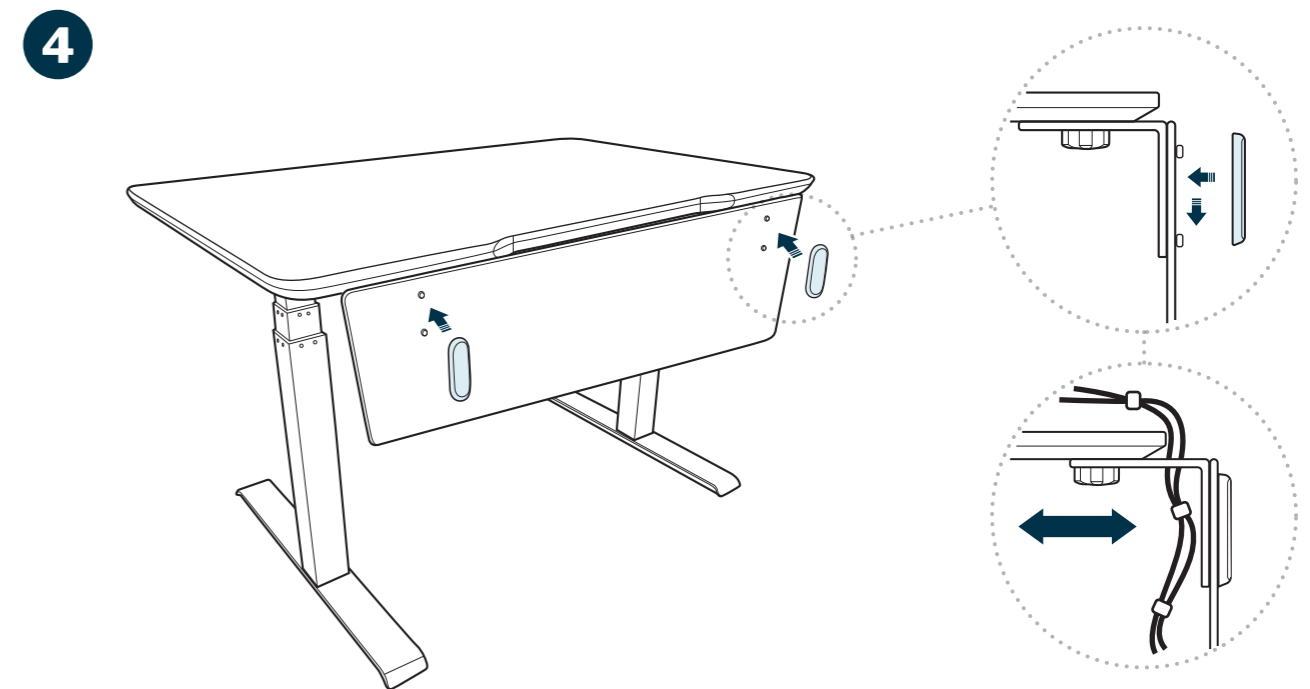
The panel can be used as a privacy panel or modesty panel. To use as a privacy panel, attach the brackets facing up. To use as a modesty panel, attach the brackets facing down.



Align the holes of the panel with the front of the brackets. Push the panel onto brackets on each side.



To attach the brackets, put the bolt through the bracket cutout. Find the pre-drilled holes located underneath the desk near the cable tray. Attach the bracket to the desk using the included hand bolt. Do not fully tighten.

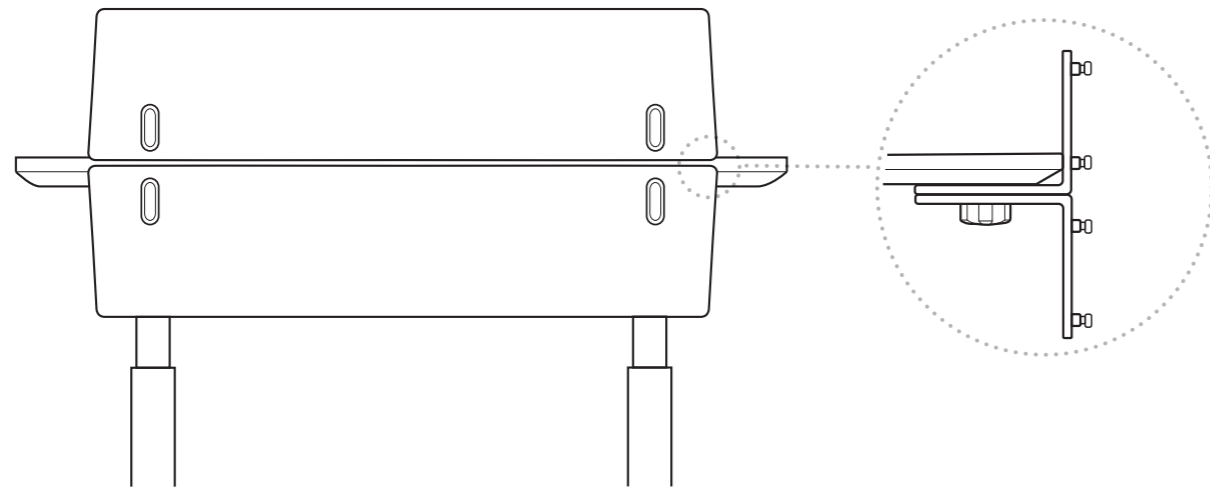


Press the bracket cover onto the front and pull down. Adjust the panels as needed to accommodate cords or desk items. Fully tighten the bolts once the panels are in your preferred position.



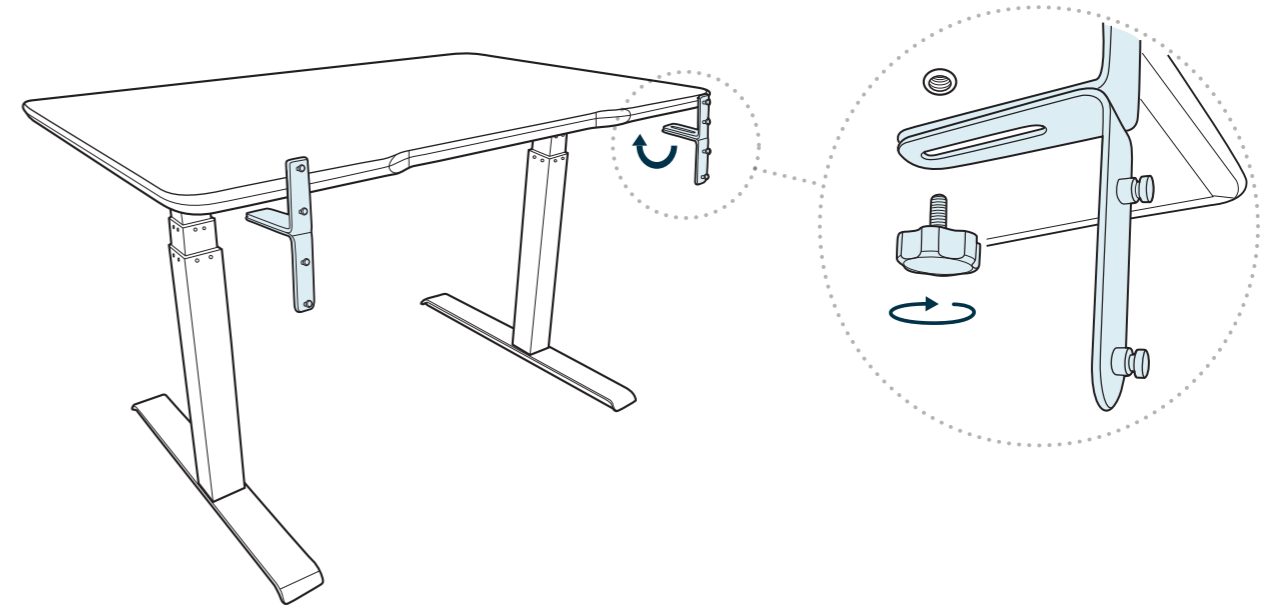
How To Link 2 Panels:

1



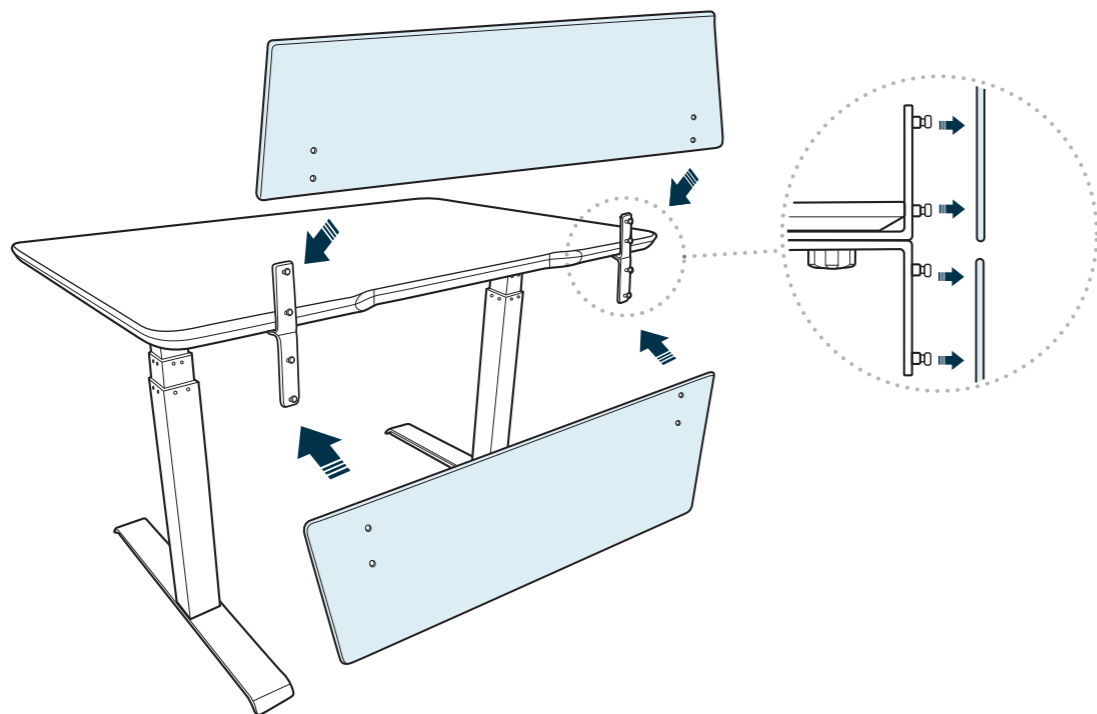
To use both panels and create a privacy and modesty panel setup, put one upward facing bracket on top of a downward facing bracket.

2



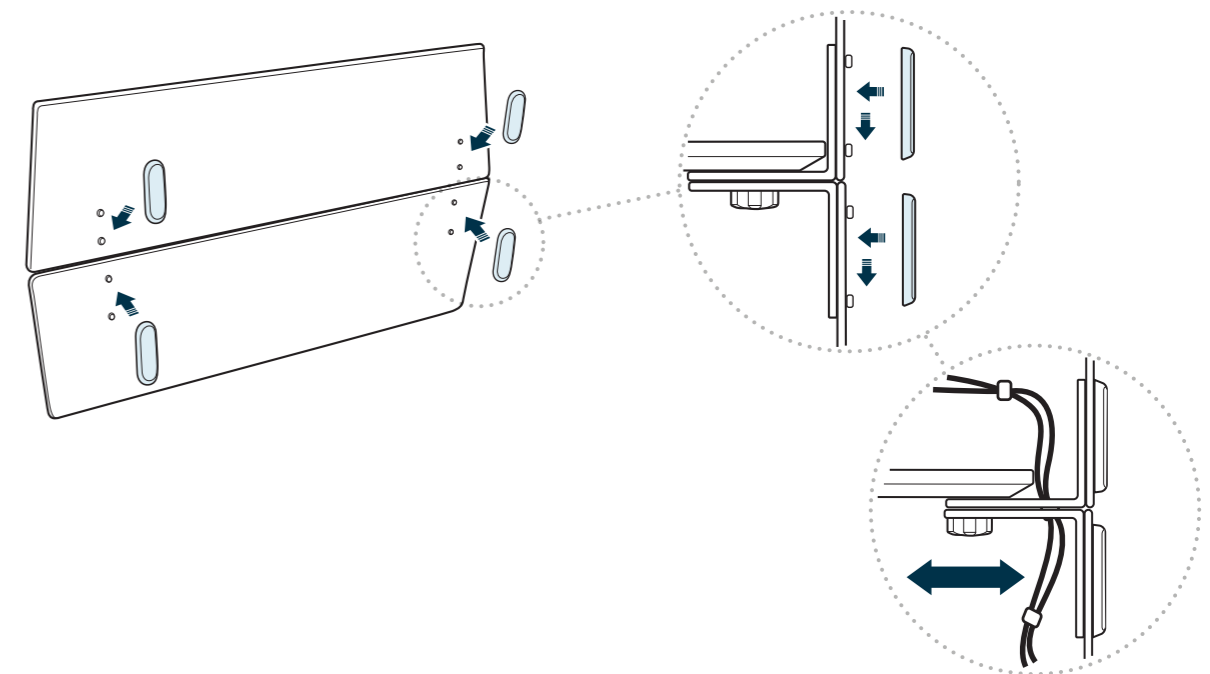
To attach the brackets, put the bolt through the bracket cutout. Find the pre-drilled holes located underneath the desk near the cable tray. Attach the bracket to the desk using the included hand bolt. Do not fully tighten.

3



One at a time, align the holes of each panel with the front of each set of brackets. Push each panel onto brackets on each side.

4



Press the bracket cover onto the front and pull down. Adjust the panels as needed to accommodate cords or desk items. Fully tighten the bolts once the panels are in your preferred position.