

Conference Table

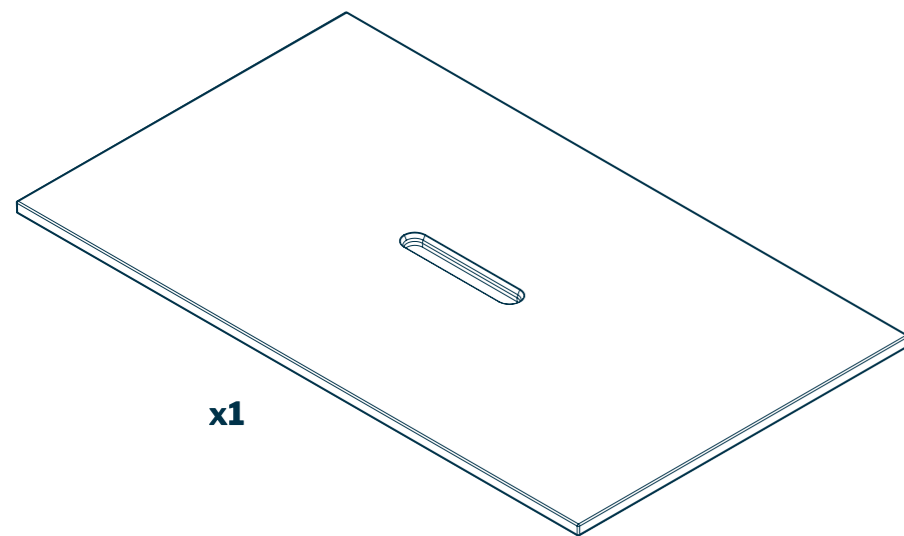


2 People Required

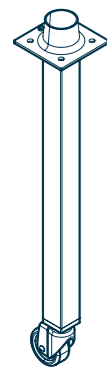


Holds up to
300 lb (136 kg)

vari®



x1



x4



x1



x16

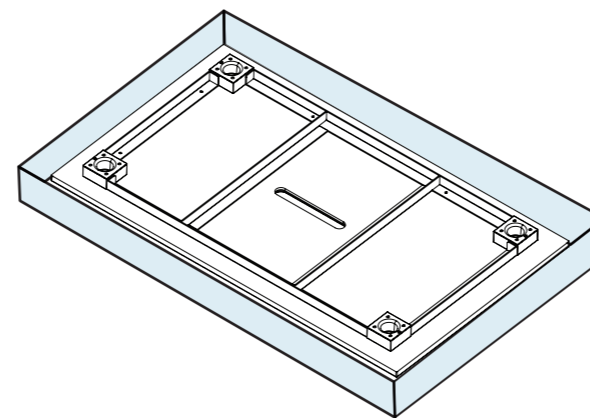


x16



x16

1



When the box is open, the table top is facing down. Assemble table in box to avoid damaging table top surface.

2

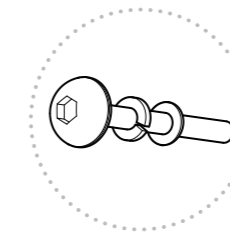
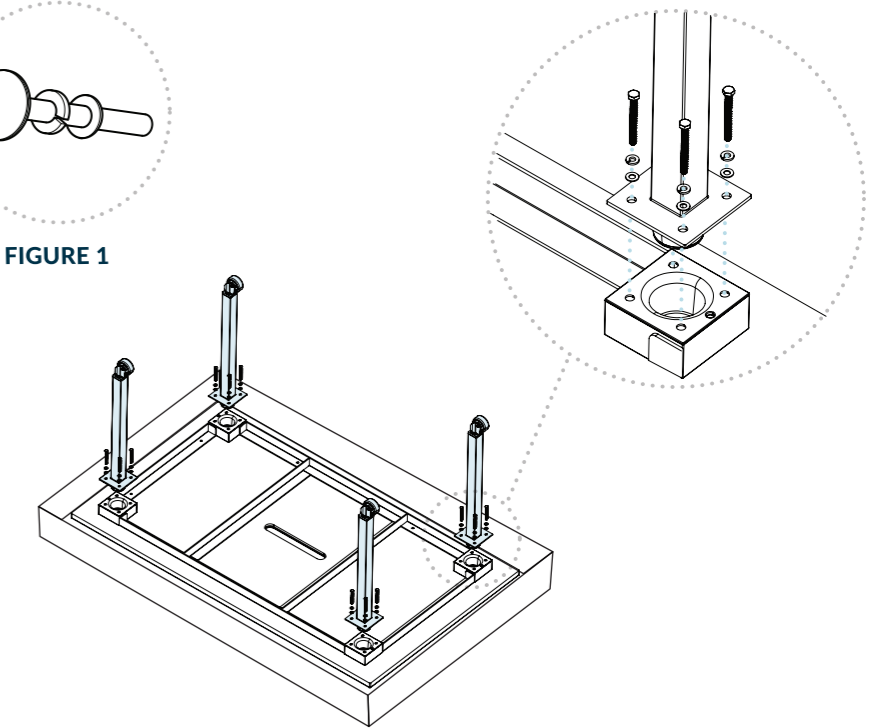
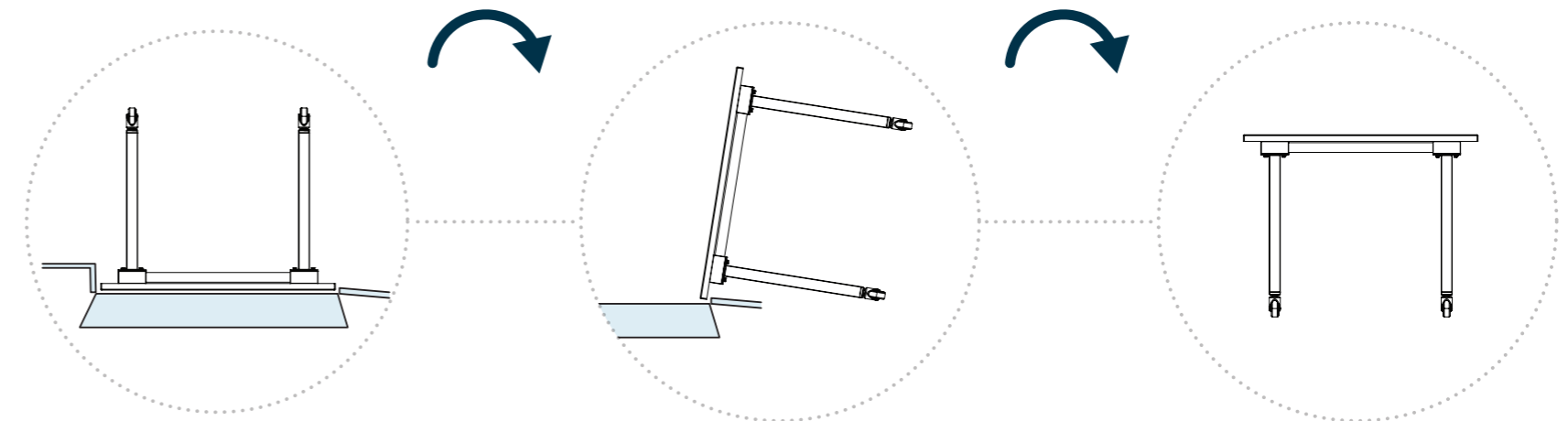


FIGURE 1



Insert legs (4) in the input holes. Using the included hardware, attach legs (4) to corners of the table top frame. Arrange hardware in the configuration illustrated in Figure 1. Secure bolts with Allen key.

3



Flatten box by folding down the outer edges, then tilt the table out of box. Flip table over using two people on each end.



WARNING: To prevent injuries and product failure, do not use this table for standing, climbing, or leaning. Do not use if the table is damaged or incorrectly assembled.



(800) 207-2587