

Executive Lateral File Cabinet

vari®



The Executive Lateral File Cabinet is a versatile filing solution. Its two-drawer design gives you maximum storage potential. The wide, upper drawer is perfect for office supplies, while the deep, lower drawer has room for letter- or legal-sized hanging file folders. Whether you're storing files or personal items, this cabinet is ready for anything you can throw at it. (Or in it.)

- Space for Letter- or Legal-Sized Hanging Files
- Soft-Close Drawers are Lockable to Secure Files
- Drawer Pulls Can Be Repositioned to Left, Center, or Right of Drawer
- Leveling Feet to Compensate for Uneven Floors
- Durable Laminate Finish That's Easy to Clean
- Ships Fully Assembled
- Joining Bracket Set (Sold Separately) Can Connect Pieces to Create Credenza
- Meets or Exceeds BIFMA's Durability Standards for Office Furniture

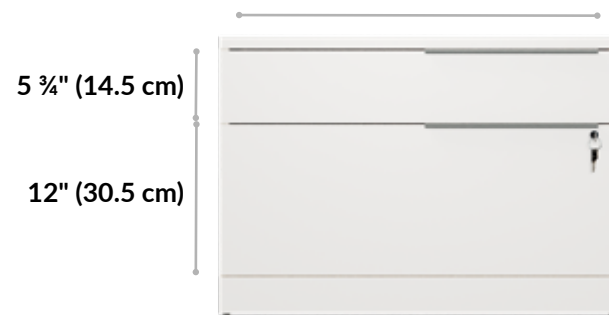
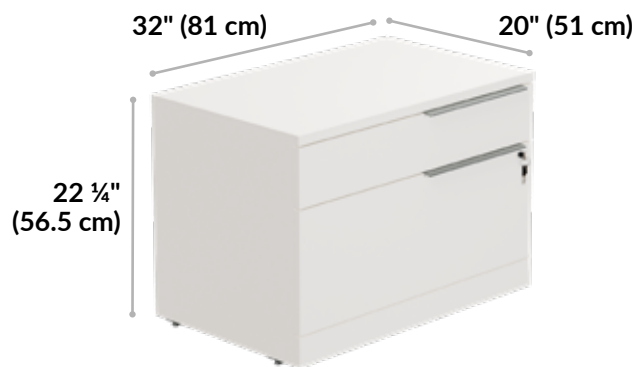
Finishes:



White



Neowalnut



Drawer Interior Width:
28 3/4" (72 cm)

Drawer Depth:
15 3/4" (40 cm)



Executive File Cabinet

vari®



The Executive File Cabinet makes storage stylish. This two-drawer cabinet has an upper drawer for frequently-needed items like pencils or pens and a deep, lower drawer with ample space for all your letter- or legal-sized hanging files. With its lockable design, you can confidently keep files and valuables safe and secure.

- Space for Letter- or Legal-Sized Hanging Files
- Soft-Close Drawers are Lockable to Secure Files
- Drawer Pulls Can Be Repositioned to Left, Center, or Right of Drawer
- Leveling Feet to Compensate for Uneven Floors
- Durable Laminate Finish That's Easy to Clean
- Ships Fully Assembled
- Joining Bracket Set (Sold Separately) Can Connect Pieces to Create Credenza
- Meets or Exceeds BIFMA's Durability Standards for Office Furniture

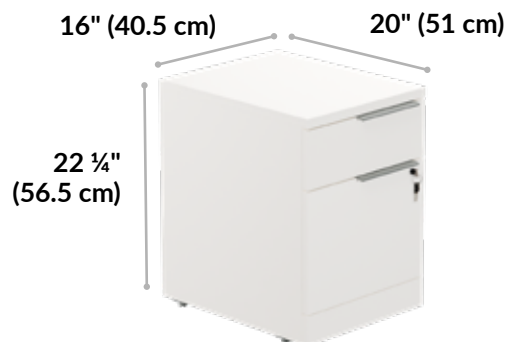
Finishes:



White



Neowalnut



Executive Storage Cabinet



The Executive Storage Cabinet offers abundant storage for your office in a well-crafted cabinet that's built to last. This cabinet keeps important items nearby while also keeping them hidden behind dual doors so your workspace is always organized and tidy. Inside, you'll find an adjustable interior shelf and enough room to store binders, books, and more.

- Adjustable Interior Shelf
- Leveling Feet to Compensate for Uneven Floors
- Durable Laminate Finish That's Easy to Clean
- Ships Fully Assembled
- Joining Bracket Set (Sold Separately) Can Connect Pieces to Create Credenza
- Meets or Exceeds BIFMA's Durability Standards for Office Furniture

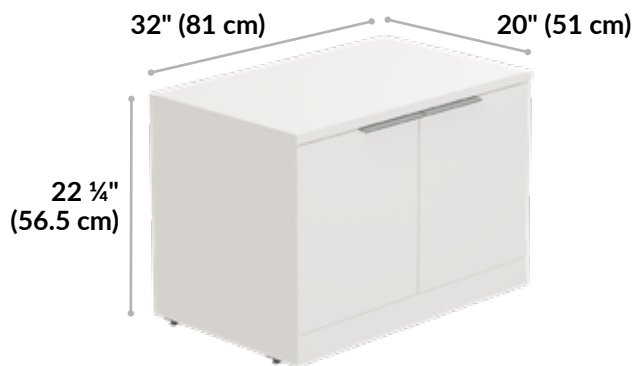
Finishes:



White



Neowalnut



Door Width:
16" (40.5 cm)

Interior Cabinet Width:
30 ½" (77.5 cm)



4 Shelf Settings from
7" (18 cm) -
11" (28 cm)



Executive Bookshelf

vari®



Offering open storage with an adjustable shelf, our Executive Bookshelf is perfect for holding books, resources, photos, or artwork. Crafted with a durable laminate finish, this bookshelf is built to last and can be arranged with other pieces in our Executive Office Collection to customize your workspace.

- Adjustable Interior Shelf
- Leveling Feet to Compensate for Uneven Floors
- Durable Laminate Finish That's Easy to Clean
- Ships Fully Assembled
- Joining Bracket Set (Sold Separately) Can Connect Pieces to Create Credenza
- Meets or Exceeds BIFMA's Durability Standards for Office Furniture

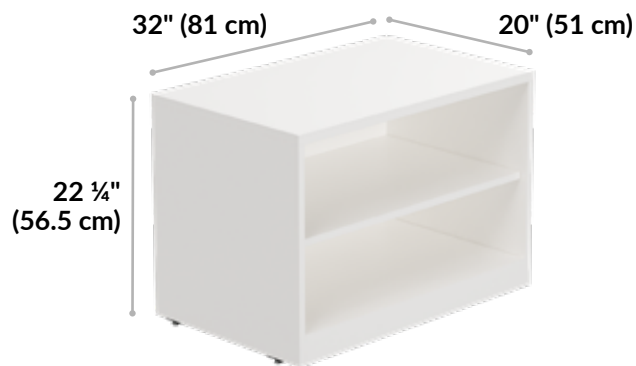
Finishes:



White



Neowalnut



Interior Shelf Width:
30 1/2" (77.5 cm)

4 Shelf Settings from
7" (18 cm) -
11" (28 cm)



Executive Wardrobe Cabinet

vari®



The Executive Wardrobe Cabinet helps keep both you and your office looking good. Inside is a coat rod to hang everything from athletic gear for the gym to formal attire for a business dinner. The interior shelf is adjustable, and the doors can easily be changed between left or right hinge set up to customize the door swing.

- Adjustable Interior Shelf
- Coat Rod for Hanging Items
- Easily Change Between Left- or Right-Hinged Door
- Durable Laminate Finish That's Easy to Clean
- Ships Fully Assembled
- Joining Bracket Set (Sold Separately) Is Needed to Connect Executive Wardrobe Cabinets to Executive Overhead Cabinets
- Meets or Exceeds BIFMA's Durability Standards for Office Furniture

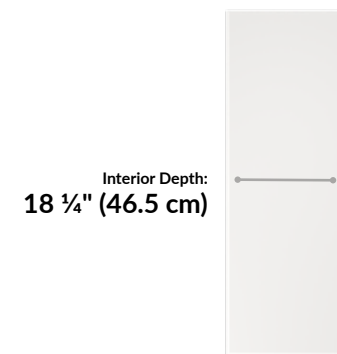
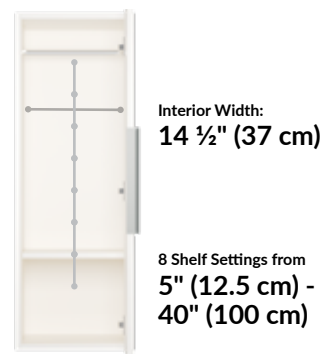
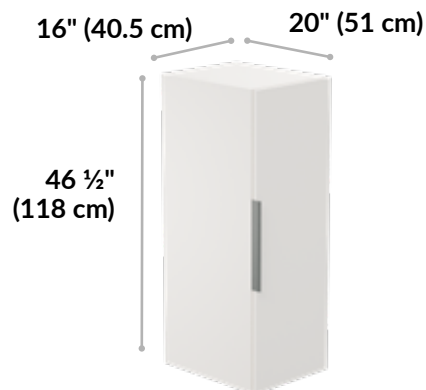
Finishes:



White



Neowalnut



Executive Overhead Cabinet



Get organized and add a touch of style to your office with the Executive Overhead Cabinet. With dual sliding doors for quick access, it's easy to keep important items nearby yet out of sight. It comes fully assembled and can easily be installed between a pair of Executive Wardrobe Cabinets for overhead storage.

- Sliding Doors for Easy Opening and Closing
- Durable Laminate Finish That's Easy to Clean
- Ships Fully Assembled
- Joining Bracket Set (Sold Separately) Is Needed to Connect Executive Wardrobe Cabinets to Executive Overhead Cabinets
- Meets or Exceeds BIFMA's Durability Standards for Office Furniture

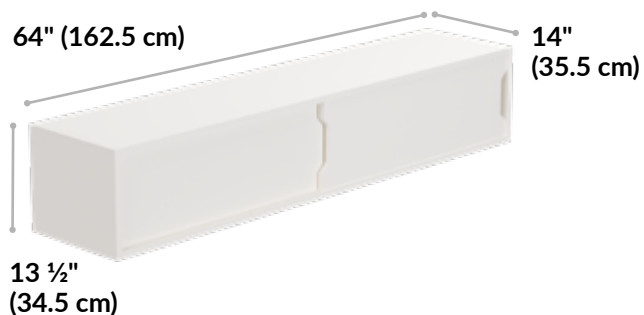
Finishes:



White



Neowalnut

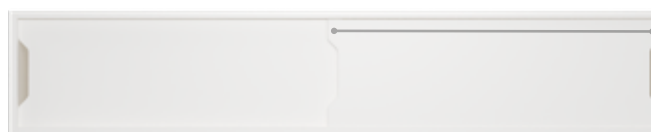


Interior Cabinet Widths:

30 3/4" (78 cm)

Door Width:

30 1/2" (77.5 cm)



Interior Depth:

11 1/4" (28.5 cm)

Interior Height:
12" (30.5 cm)



Executive Electric Standing Desk Base



Create an executive oasis with the Executive Electric Standing Desk Base. Designed to cover the T-style legs of our Electric Standing Desk for a sleek appearance, the left and right bases can also connect to the Executive Electric Standing Desk Lower Modesty Panel to form a professional-looking desk surround that adds privacy.

- Easily Encases our Electric Standing Desk's T-Style Legs for a Sleek Appearance
- Minimal Assembly Required
- Durable Laminate Finish That's Easy to Clean
- Works with Vari® Electric Standing Desk 60x30, Electric Standing Desk 72x30, and Curve Electric Standing Desk 60x30 (Sold Separately)
- Pairs with Electric Standing Desk Lower Modesty Panel 60 or 72 to Create a Surround
- Meets or Exceeds BIFMA's Durability Standards for Office Furniture

Finishes:



White



Neowalnut



Executive Electric Standing Desk Lower Modesty Panel 60

vari®



Create a sleek, professional looking desk surround for your Electric Standing Desk 60x30 by combining the Executive Electric Standing Desk Lower Modesty Panel 60 with the Executive Electric Standing Desk Base. It also provides privacy below the desk when sitting. Made with a durable laminate finish, this modesty panel is sturdy yet sophisticated.

- Adds on to Executive Standing Desk Base (Required and Sold Separately) to Create Desk Surround for Increased Privacy While Sitting
- Minimal Assembly Required
- Durable Laminate Finish That's Easy to Clean
- Works with Vari® Electric Standing Desk 60x30 and Curve Electric Standing Desk 60x30 (Sold Separately)
- Meets or Exceeds BIFMA's Durability Standards for Office Furniture

Finishes:



White



Neowalnut

21 ¼"
(54 cm)



43 ¼" (110 cm)

Panel Thickness:
¾" (2 cm)



Executive Electric Standing Desk Modesty Panel 60

vari®



The Executive Electric Standing Desk Modesty Panel 60 is the perfect addition to the Vari® Electric Standing Desk 60x30. It easily attaches below the desk, moving up and down with the desk to provide privacy while sitting or standing.

- Easily Attaches Below the Desk for Privacy While Sitting or Standing
- Minimal Assembly Required
- Durable Laminate Finish That's Easy to Clean
- Works with Vari Electric Standing Desk 60x30 and Curve Electric Standing Desk 60x30 (Sold Separately)
- Can Be Paired with Executive Electric Standing Desk Base and Executive Electric Standing Desk Lower Modesty Panel 60 (Both Sold Separately)
- Meets or Exceeds BIFMA's Durability Standards for Office Furniture

Finishes:



White



Neowalnut

23"
(58.5 cm)

42 ½" (108 cm)

Panel Thickness:
¾" (2 cm)



Executive Electric Standing Desk Lower Modesty Panel 72

vari®



Create a sleek, professional looking desk surround for your Electric Standing Desk 72x30 by combining the Executive Electric Standing Desk Lower Modesty Panel 72 with the Executive Electric Standing Desk Base. It also provides privacy below the desk when sitting. Made with a durable laminate finish, this modesty panel is sturdy yet sophisticated.

- Adds on to Executive Standing Desk Base (Required and Sold Separately) to Create Desk Surround for Increased Privacy While Sitting
- Minimal Assembly Required
- Durable Laminate Finish That's Easy to Clean
- Works Seamlessly with Vari® Electric Standing Desk 72x30
- Meets or Exceeds BIFMA's Durability Standards for Office Furniture

Finishes:

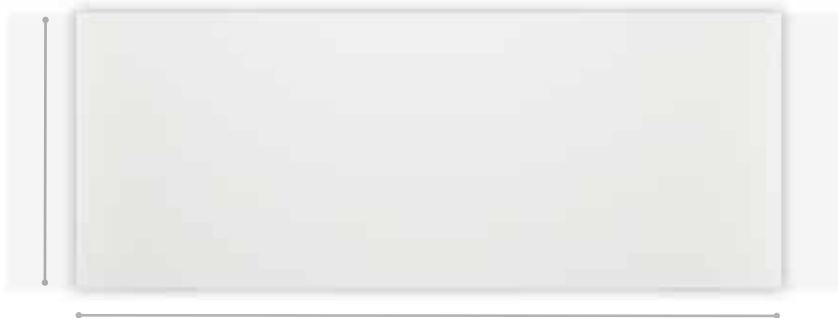


White



Neowalnut

21 ¼"
(54 cm)



55 ¼" (140.5 cm)

Panel Thickness:
¾" (2 cm)



Executive Electric Standing Desk Modesty Panel 72

vari®



The Executive Electric Standing Desk Modesty Panel 72 is the perfect addition to the Vari® Electric Standing Desk 72x30. It easily attaches below the desk, moving up and down with the desk to provide privacy while sitting or standing.

- Easily Attaches Below the Desk for Privacy While Sitting or Standing
- Minimal Assembly Required
- Durable Laminate Finish That's Easy to Clean
- Works Seamlessly with Vari Electric Standing Desk 72x30
- Can Be Paired with Executive Electric Standing Desk Base and Executive Electric Standing Desk Lower Modesty Panel 72 (Both Sold Separately)
- Meets or Exceeds BIFMA's Durability Standards for Office Furniture

Finishes:



White



Neowalnut

23"
(58.5 cm)



54 ½" (138.5 cm)

Panel Thickness
¾" (2 cm)



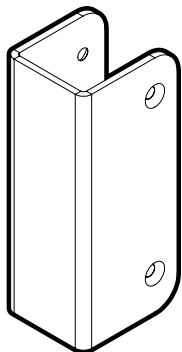
Executive Office Joining Bracket Set

vari®



Align and join multiple Executive Collection components with the Executive Office Joining Bracket Set. Designed to join components out-of-sight, the brackets are held in place with screws for lasting support and strength.

- Can Join Executive File Cabinet, Executive Lateral File Cabinet, Executive Storage Cabinet, or Executive Bookshelf to Create a Lower Credenza (Credenza Should Not Exceed 96" in Length)
- Can Join an Executive Overhead Cabinet to Two Executive Wardrobe Cabinets to Create an Upper Credenza
- Heavy Duty Steel Construction
- Countersunk Screw Holes for Flush Finish
- Screws Work with Phillips Head Screwdrivers
- Set Includes 2 Brackets and 8 Screws
- Brackets Work Exclusively with the Executive Office Collection



**JOINING BRACKETS
x2**



**3/4" PHILLIPS DRIVE
WOOD SCREWS
x8**